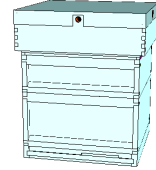


Caddon Hives

Caddonlands, Millbank Road, Clovenfords, Galashiels, Scotland, TD1 3LZ

Tel: 01896 850249

Email: caddon_hives@yahoo.co.uk

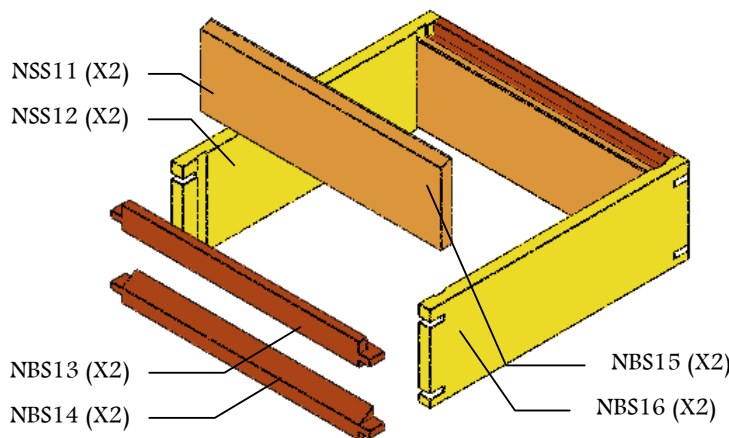
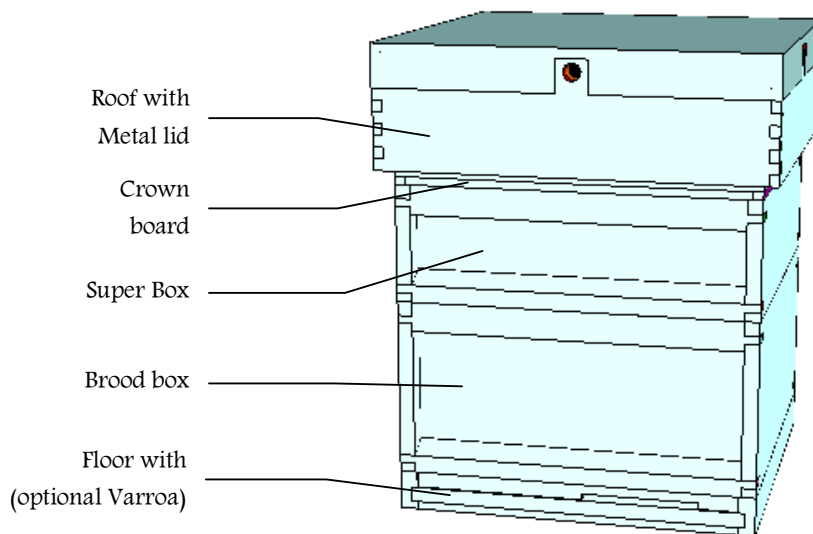


National Hive Assembly instructions

National Hive Assembly

Thank you for purchasing this National hive. Please read the following brief notes to assist with the assembly of these hives. For the beginner, this may take 2 hours.

- Use a wood glue at **every** joint for an even stronger long lasting joint
- Where possible, insert nails / pins at an angle for extra strength

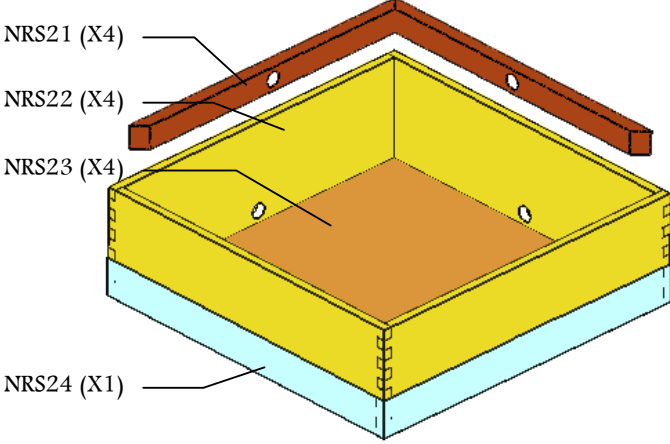
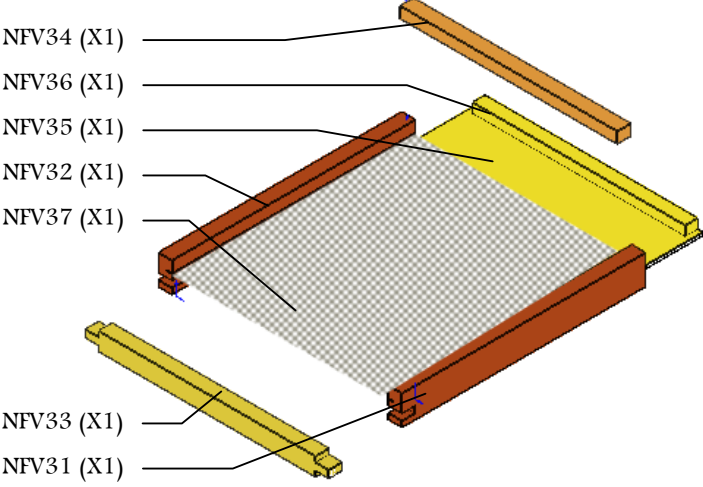
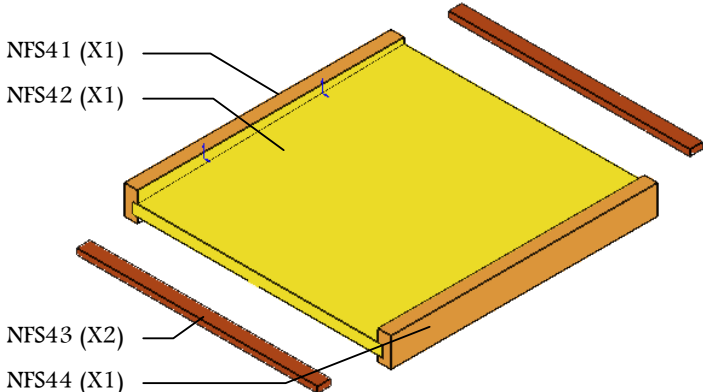


For the super: NBS15 and NBS16.
For the brood: NBS11 and NBS12

1. Brood and Super box

1. Inserting Items 14(x2) into 12(x2). Secure with long pins on all four bottom corners.
Note 1: Chamfered edge should be on top facing out and down.
2. Insert Items 13(x2) into 12(x2). Secure with long pins on all four top corners.
Note 2: Top face of Item 12 & 13 should be flush
Make sure all corners are square.
3. Slide in Items 11(x2) into the slots of Item 12(x2) until 11 is flush with the inside step of Item 14. Secure with eight nails, two nails through each of the Items 13 and 14

National Hive Assembly instructions

 <p>NRS21 (X4)</p> <p>NRS22 (X4)</p> <p>NRS23 (X4)</p> <p>NRS24 (X1)</p>	<p>2. Roof</p> <p>The roof is partially preassembled. However there are a few additional steps to follow:</p> <ol style="list-style-type: none"> 1. Insert Items 21(x4) securing with 8 nails, 2 per Item 2. The metal lid is already secured with 2 nails per corner. Secure Item 22 down with additional 4 nails to ensure sharp corners do not protrude.
 <p>NFV34 (X1)</p> <p>NFV36 (X1)</p> <p>NFV35 (X1)</p> <p>NFV32 (X1)</p> <p>NFV37 (X1)</p> <p>NFV33 (X1)</p> <p>NFV31 (X1)</p>	<p>3. Varroa Floor</p> <ol style="list-style-type: none"> 1. Start by inserting Item 33 into Items 31 and 32. Secure with 2 nails 2. Insert Item 34 into Items 31 and 32. Secure with 2 nails <p><u>Note 1:</u> Make sure the thin slots in item 31 and 32 are not blocked, this is to allow mesh to slide in.</p> <p><u>Note 2:</u> Make sure frame is square</p> <ol style="list-style-type: none"> 3. Slide in the Varroa mesh Item 37. Secure with 4 short pins 2 on the top at one end, 2 on the bottom at opposite end. 4. Secure item 34 centrally onto item 35 with 2 nails
 <p>NFS41 (X1)</p> <p>NFS42 (X1)</p> <p>NFS43 (X2)</p> <p>NFS44 (X1)</p>	<p>4. Standard Floor</p> <ol style="list-style-type: none"> 1. Slide item 42 into the slot of Items 41 and 44. Secure with 6 nails, 3 on each side, through item 41 and 44 into item 42. <p><u>Note 1:</u> Take care to align the position of nails so as not to miss item 42</p> <ol style="list-style-type: none"> 2. Place items 43(x2) one on top and one below item 42. Secure with 4 nails, two on top and two below.

	Brood / Super (ea)	Standard floor	Varoa Floor	Roof
Nails	8	10	6	12
Long pins	8	-	-	-
Short nail	-	-	4	-