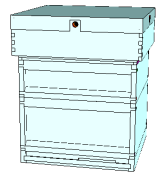


Caddon Hives

Caddonlands, Millbank Road, Clovenfords, Galashiels, Scotland, TD1 3LZ

Tel: 01896 850249

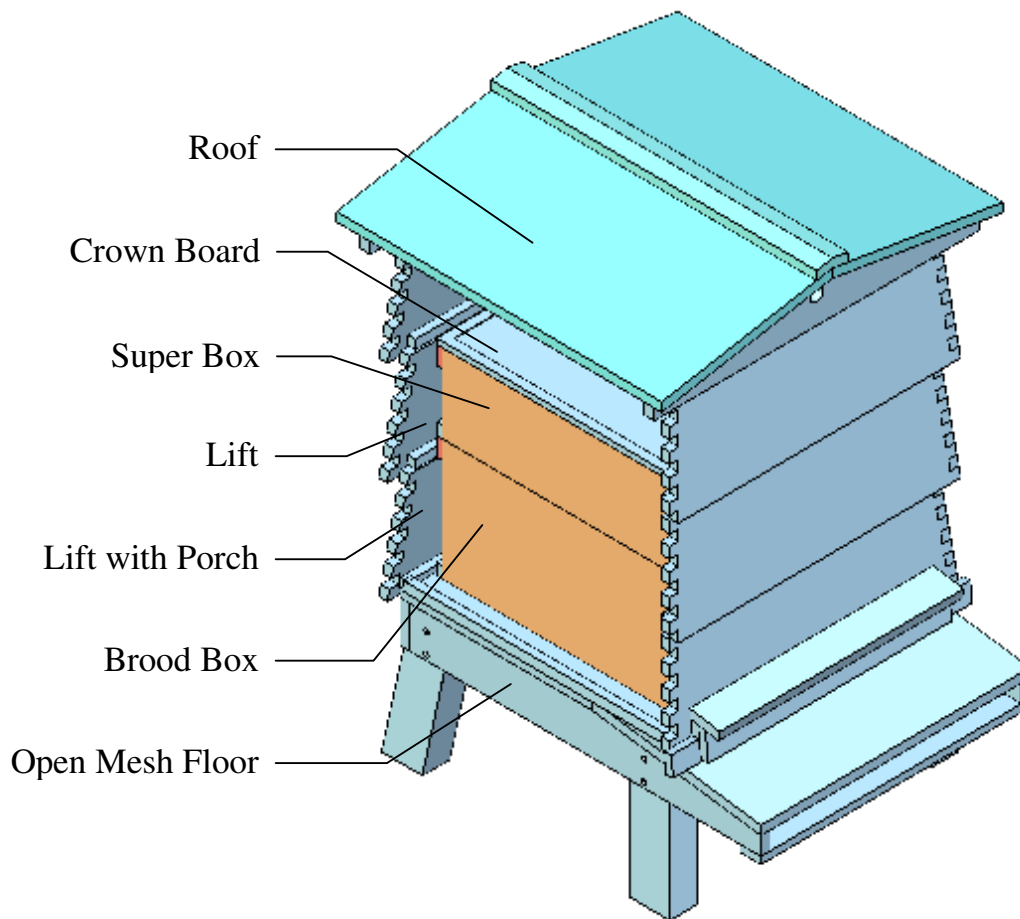
Email: caddon_hives@yahoo.co.uk



WBC Assembly instructions

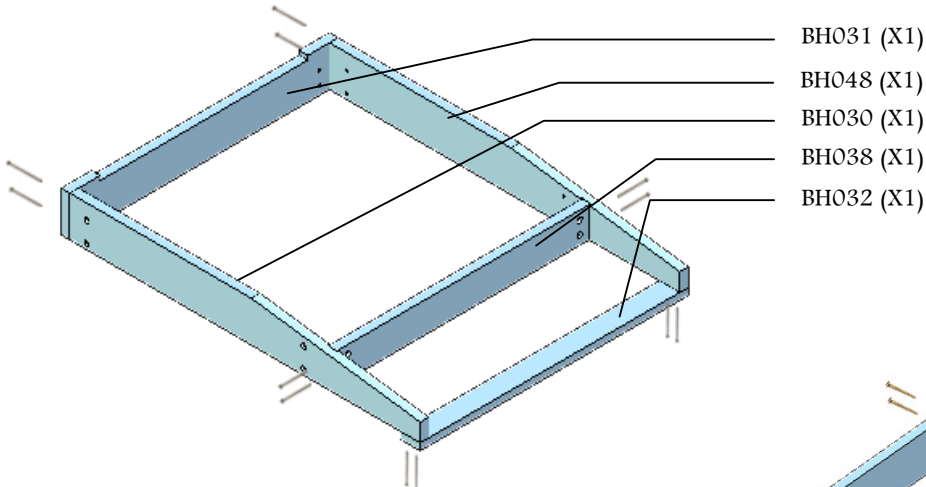
Thank you for purchasing this WBC hive. Please read the following brief notes to assist with the assembly of these hives. For the beginner, this may take 4 hours.

Use an outdoor wood glue for an even stronger long lasting joint
Except for the lifts, insert nails / pins at an angle for extra strength



	Floor	Roof	Lift	Porch	Brood/Super (ea)
Short Nails (30mm)	22	30	16	4	-
Long Nails (40mm)	18	14	-	-	8
Short pins (15mm)	8	8	-	-	-
Long Pins (20mm)	-	-	16	-	28
Screws (40mm)	16	8	-	2	-

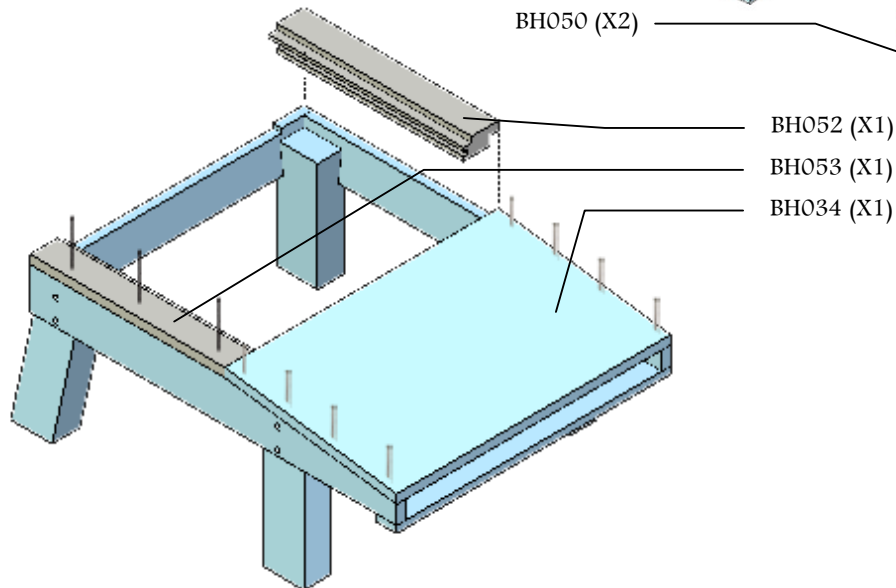
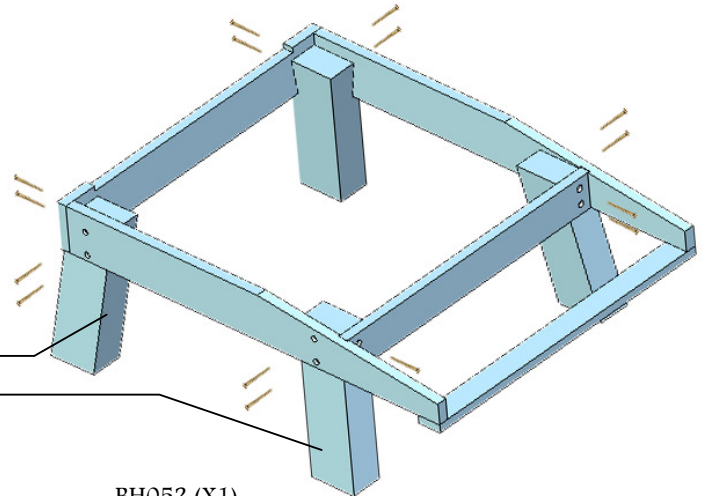
Caddon Hives



Stage 1

1. Start with making the frame Parts 30, 31, 32, 48. Secure with long nails (x8)
2. Slide in the cross member 38. Note: make sure the top edges are all flush. Secure with long nails (x4) through 30 & 48.

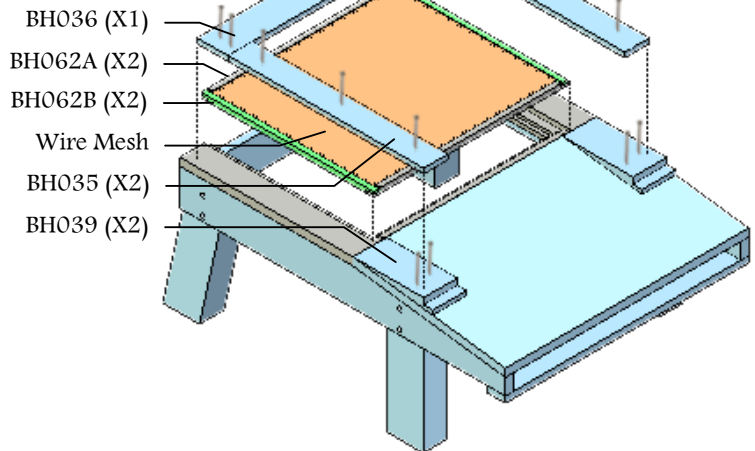
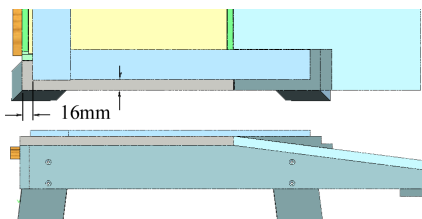
- ### Stage 2
1. Position the two pairs of legs 50 & 51. Secure with screws (x16) through pre-drilled holes in 30, 31, 38, 48.
 2. Note: A simple trick is to temporarily wedge a brace between the diagonal opposite legs, this firmly pushes the legs into the corners ready for securing with screws



Stage 3

1. Place items 52, 53 onto 30, 48. Secure with long nails (x6). (Apply glue)
2. Place item 34. Secure with short nails (x8)

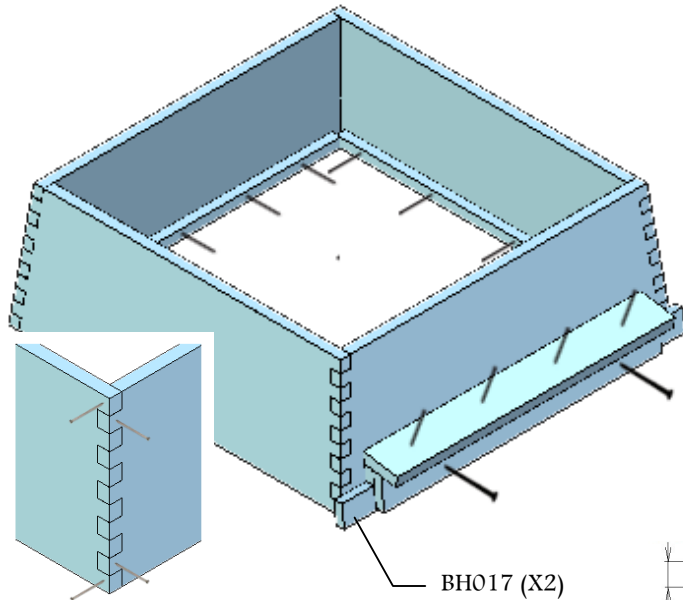
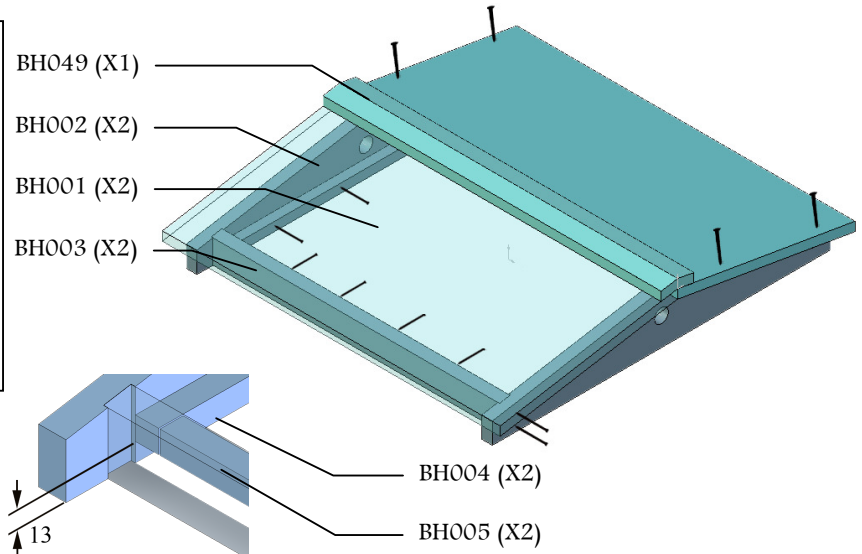
- ### Stage 4
1. Assemble the wire mesh frame, 62(2x2). Secure with glue. Insert wire mesh into frame and secure with short pins (x8) Note: Drive the nails half way through and then knock the head over flat.
 2. Slide wire mesh frame between the supports 52 & 53
 3. Place items 39(x2), 35(x2) & 36. Note 16mm in from edges. (See sketch below) Secure with short nails (x14)
 4. Slide in the inspection tray



Caddon Hives

Roof

1. Start with making the frame Parts 02(x2) & 03(x2). Secure with long nails (x8)
2. Drill 4 clearance holes in the slots on both the lids 01 (This is for the screws) Place roofs 01 onto frame, locating 02 into the grooves. Secure with screws (x8) through 01 into 02.
3. Position 04(x2) and 05(x2). Note the dimensions 13mm. Secure with short nails (x16)
4. Place metal covers and secure around edge with short nails (x14) (Use a hammer to knock down any sharp edges)
5. Position 49, and secure with long nails (x6)
6. Secure wasp traps with short pins (x4)



2 (X4)

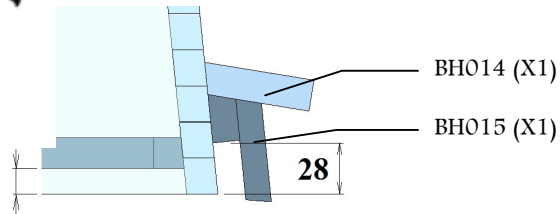
3 (X4)

Lifts

1. Assemble 12 (x4) Insert glue between the joints before attempting to assemble. This will help lubricate the joint prior to assembly Secure with long pins (x16) as shown
2. Insert 12(x4) and secure with short nails (x16)
3. Note the dimensions 16mm

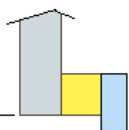
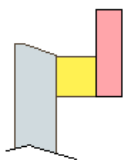
Porch

1. Drill 2 clearance holes through 15. Position 15 onto lift side as per sketch and secure with screws (x2). Note: dimension 28mm
2. Position 14 onto 15, secure with short nails (x4)
3. Slide in the doors 17(x2)



Super / Brood box

1. Start with making the frame Parts (44, 45, 46)(x2). Secure with long pins (x16)
2. Slide 47(x2). Note: Use plenty of glue to help 47 slide more easily. Do NOT secure yet
3. Insert 43 (x4). Note: Gap at bottom, see sketch. Secure with long pins (x12)
4. Secure 47 into 46 with long nails (x8)



6mm

(S) BH047 (X2)

(B) BH042 (X2)

(S) BH046 (X2)

(B) BH041 (X2)

BH043 (X4)

BH044 (x2)

BH045 (X2)

