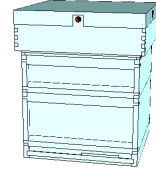


Caddon Hives

Caddon Lynns, Caddon Foot Road, Clovenfords, Galashiels, Scotland, TD1 3LY

Tel: 01896 850755

Email: caddon_hives@yahoo.co.uk

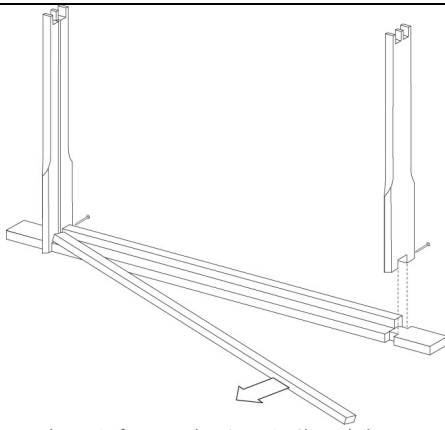


Frame Assembly Instructions

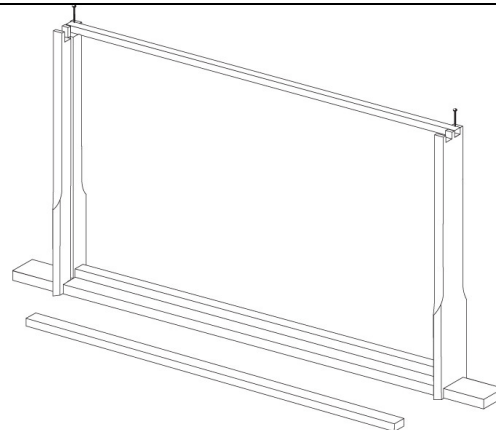
Frame Assembly:

Thank you for purchasing this Frame set. Please read the following brief notes to assist with the assembly of these frames. For the beginner, this may take 1 hour per set.

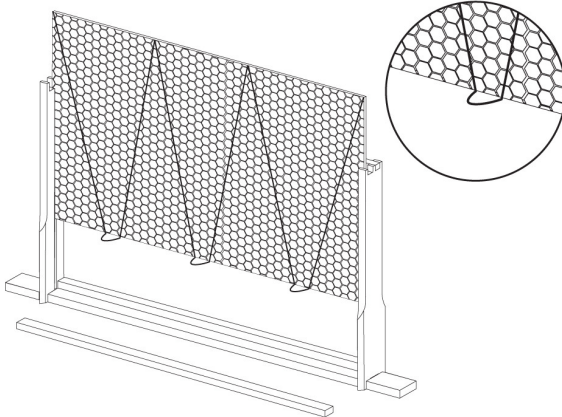
Note: Wax is very brittle in cold weather, so be sure to assemble in warm conditions



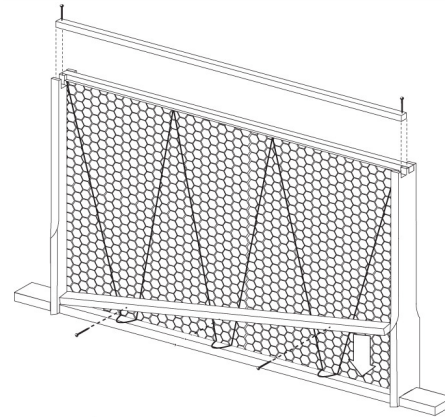
Break out strip from Top bar & retain. Slot side bars onto top bar as shown, with groove to inside. Nail in place as indicated with 2 x pins



Place first bottom rail in position as shown and nail in place as indicated with 2 x pins



Bend over wire loops at right angles. Carefully slide wax insert into side grooves until wire loops rest on Top bar



Press wedge strip (from step 1) between side rails, down onto wire loops as shown and nail into rear of top rail with 2 x pins as shown. Fit second bottom rail and nail in place as indicated with 2 x pins.