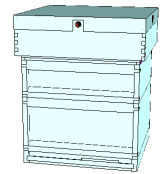


Caddon Hives

Caddonlands, Millbank Road, Clovenfords, Galashiels, Scotland, TD1 3LZ

Tel: 01896 850 249 / 755

Email: caddon_hives@yahoo.co.uk

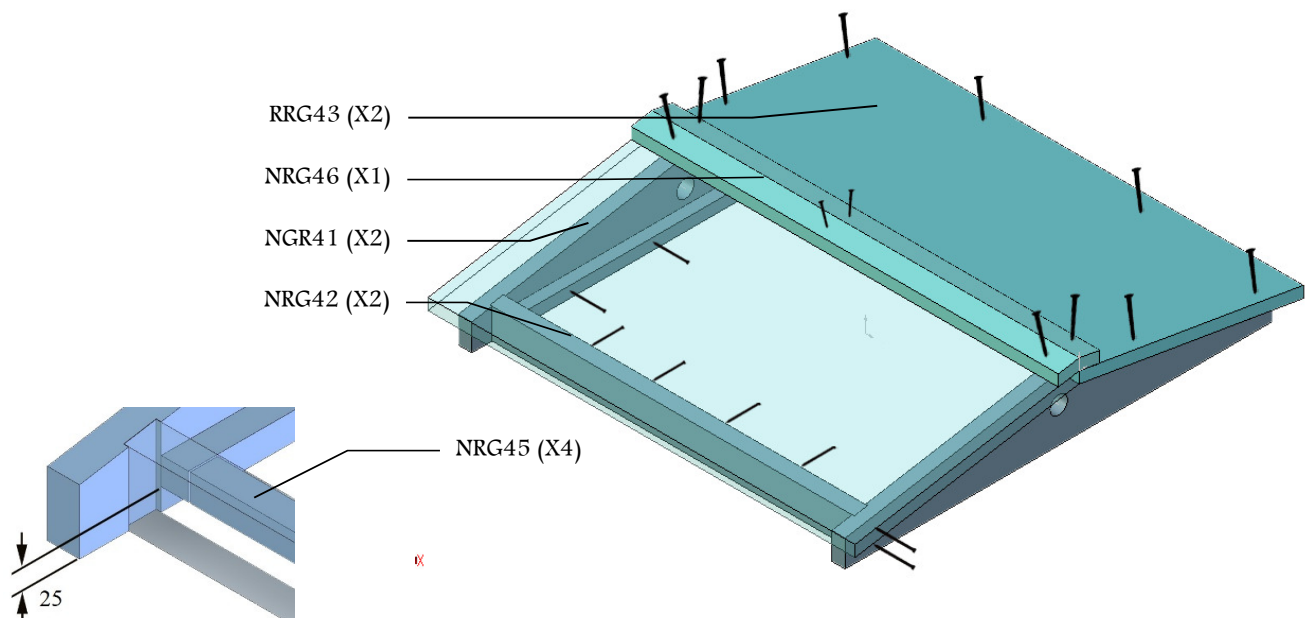


National Gabled Roof Assembly instructions

Thank you for purchasing this Gabled roof for the National hive.
Please read the following brief notes to assist with the assembly of these hives.

For the beginner, this may take up to an hour.

Use an outdoor wood glue for an even stronger long lasting joint
Paint edge of lid with clear Cuprinol or Varnish (if not already painted)



Gabled Roof

1. Start with making the frame 41(x2) & 42 (x2). Secure with long pins (x8)
2. Remove metal lid from wood roof. Drill 2 clearance holes in each slot on both the lids 34 (This is for the screws) Place roofs 43 onto frame, locating 41 into the grooves. Secure with short screws (x8) through 43 into 41.
3. Insert additional long nails (x4) through 43 into 42
4. Position 45 (x4). Note the dimensions 25mm. Secure with short nails (x16)
5. Place metal lid and secure around edge with short nails (x14)
6. Measure 38mm from each end of 46, and drill 2 clearance holes, 4 in total. (This ensures screws will be center of 41. Peel back plastic protective coat and position 46 onto the apex of roof and secure with long screws (x4) through metal cover into 43 into 41
7. Drill 2 more clearance holes half way along 46 and insert short screws (x2)
8. Secure wasp traps with short pins (x8)

| | <u>Short Nails</u> (30mm) | <u>Long Pins</u> (40mm) | <u>Brass Pins</u> (15mm) | <u>Short Screws</u> (30mm) | <u>Long Screw</u> (40mm) |
|------|------------------------------|----------------------------|-----------------------------|-------------------------------|-----------------------------|
| Roof | 30 | 12 | 8 | 10 | 4 |