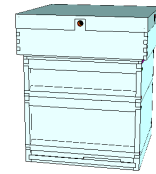


Caddon Hives Ltd

Caddon Lynns, Caddon Foot Rd, Clovenfords, Galashiels, Scotland, TD1 3LY
 Tel: 01896 850 755 Email: caddon_hives@yahoo.co.uk
 Company Reg No: 454334 VAT No: 170 538217

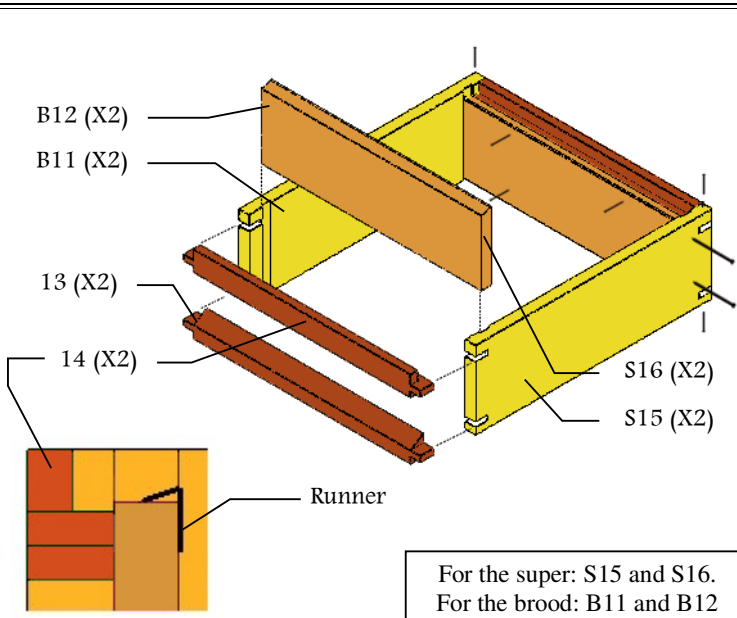
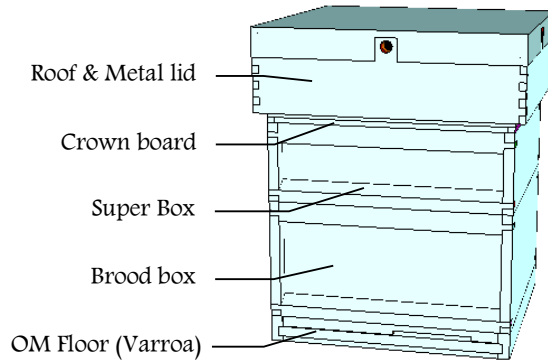


National Hive Assembly Instructions

National Hive Assembly

Thank you for purchasing this National hive. Please read the following brief notes to assist with the assembly of these hives. For the beginner, this may take 3 hours.

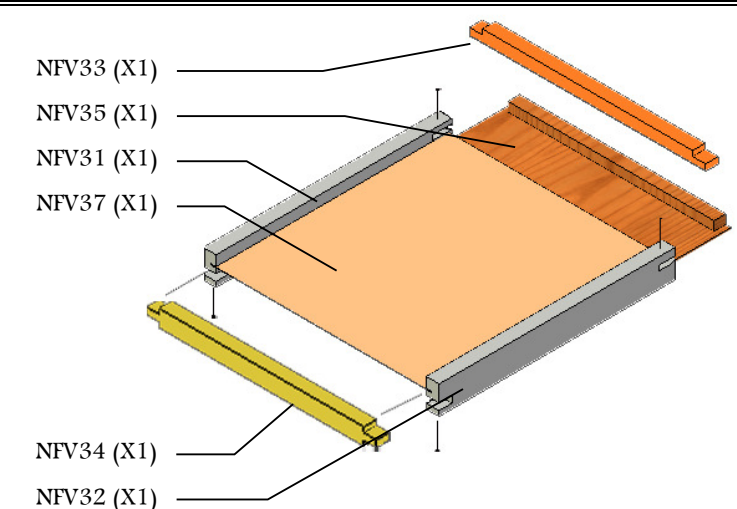
- Use an outdoor wood glue at **every** joint for an even stronger long lasting joint
- Where possible, insert nails / pins at an angle for extra strength
- The roof is pre-assembled.



1. Brood and Super box

1. Sand to smooth the two lugs on Item 13(x2) into 14(x2). Apply adhesive to the two lugs.
 2. Insert Items 13(x2) and 14(x2) into 11(x2). Secure with short pins on all four corners. (Punch head in)
- Note 1: Note chamfered edge on Item 13 should be facing out and down.
3. PARTIALLY Slide in Items 12(x2) into the slots of Item 11(x2).
 4. Secure the metal runners with pins to Items 12(x2)
 5. Use a frame top bar to set the height of runners (top of frame lug should be flush with top of box). Secure with eight long pins, and eight short pins as shown in sketch.

Note 2: Check for square. Diagonal lengths should be same.



2. Varroa Floor

1. Insert Item 33 into Items 31 and 32. Secure with 2 long pins
 2. Insert Item 34 into Items 31 and 32. Secure with 2 short pins
- Note 1: Make sure the thin slots in item 31 and 32 are not blocked with the pin, this is to allow mesh to slide in.
- Note 2: Check for square. Diagonal lengths should be same.
3. Slide in the Varroa mesh Item 37. Secure with 8 Panel pins, 2 x 2 on the top and 2 x 2 on the bottom at opposite end.
 4. Slide Item 35 into slots. Secure front bar (No number) to center edge of Item 35 with 4 short pins. Make sure pilot hole is facing outward.

	Long Pins	Short Pins	Panel Pins
Brood/Super	8	16	8