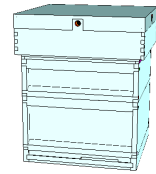


Caddon Hives Ltd

Caddon Lynns, Caddon Foot Rd, Clovenfords, Galashiels, Scotland, TD1 3LY
 Tel: 01896 850 755 Email: caddon_hives@yahoo.co.uk
 Company Reg No: 454334 VAT No: 170 538217

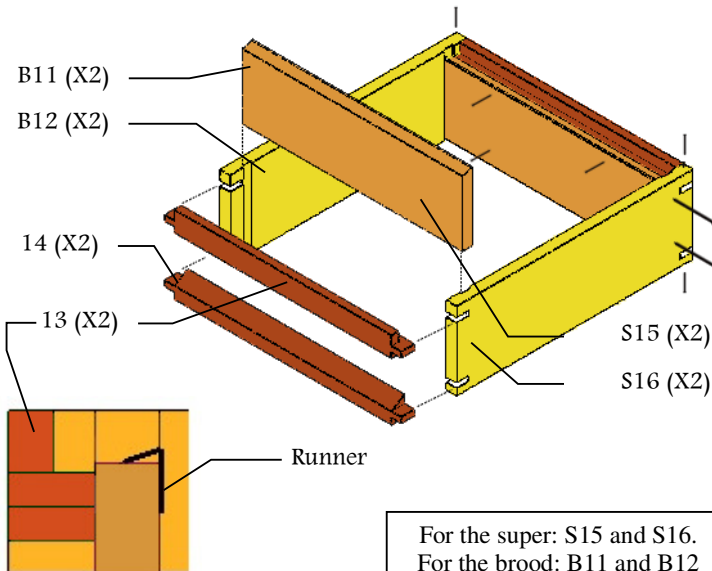
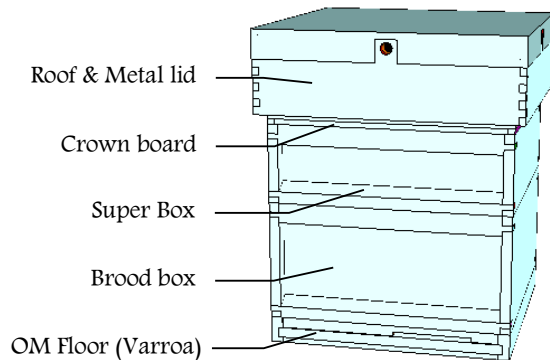


National Hive Assembly Instructions

National Hive Assembly

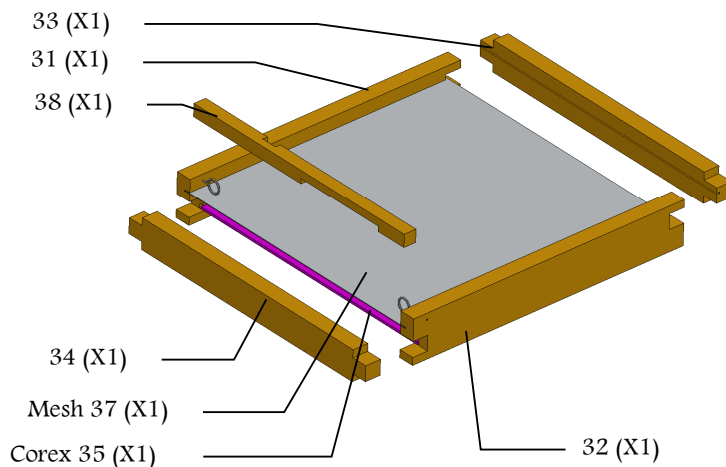
Thank you for purchasing this National hive. Please read the following brief notes to assist with the assembly of these hives. For the beginner, this may take 3 hours.

- Use an outdoor wood glue at **every** joint for an even stronger long lasting joint
- Where possible, insert nails / pins at an angle for extra strength
- The roof is pre-assembled.



1. Brood and Super box

1. Sand to smooth the two lugs on Item 13(x2) into 14(x2). Apply adhesive to the two lugs.
 2. Insert Items 13(x2) and 14(x2) into 12(x2). Secure with short pins on all four corners. (Punch head in)
- Note 1:** Note chamfered edge on Item 14 should be facing out and down.
3. PARTIALLY Slide in Items 11(x2) into the slots of Item 12(x2).
 4. Secure the metal runners with pins to Items 11(x2)
 5. Use a frame top bar to set the height of runners (top of lug should be flush with top of box). Secure with eight long pins, and eight short pins as shown in sketch.
- Note 2:** Check for square. Diagonal lengths should be same.



2. Varroa Floor

1. Position Items 31, 32, 33 & 34 on flat surface, check configuration as shown on left
 2. Insert Item 33 into Items 31 and 32. Secure with 2 long pins
 3. Insert Item 34 into Items 31 and 32. Secure with 2 long pins
- Note:** Check for square. Diagonal lengths should be same.
4. Slide in the Varroa mesh Item 37 until end slides into slot on Item 33. Secure with 6 Panel pins, through 37 into 34
 5. Slide in white Corex tray
 6. Position entrance block 38 Insert optional eye bolts (Not provided)

	Long Pins	Short Pins	Panel Pins
Brood/Super	8	16	8
Varroa Floor	4	0	6