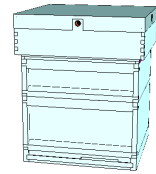


Caddon Hives Ltd

Caddon Lynns, Caddon Foot Rd, Clovenfords, Galashiels, Scotland, TD1 3LY
 Tel: 01896 850755/ 870296 Email: caddon_hives@yahoo.co.uk
 Company Reg No: 454334 VAT No: 170 538217

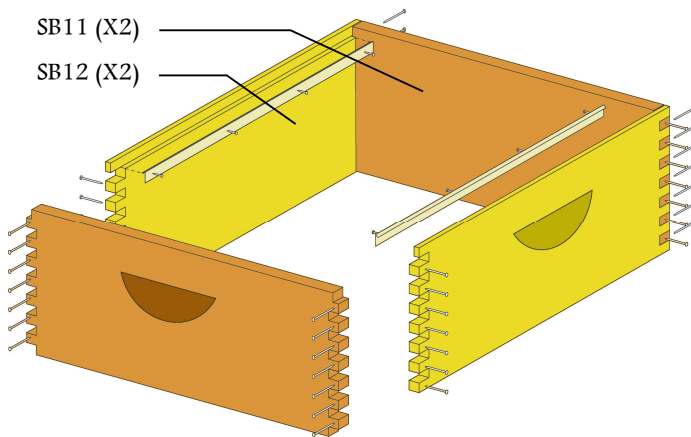
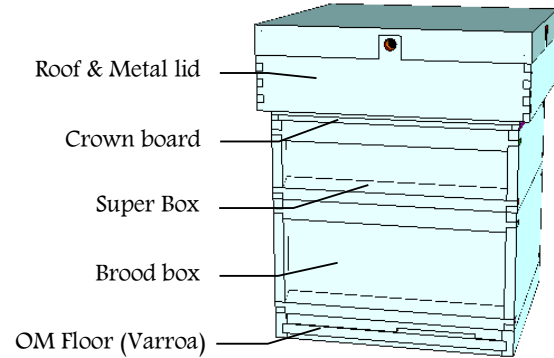


Smith Hive Assembly Instructions

Smith Hive Assembly

Thank you for purchasing this Smith hive. Please read the following brief notes to assist with the assembly of these hives. For the beginner, this may take 2 hours.

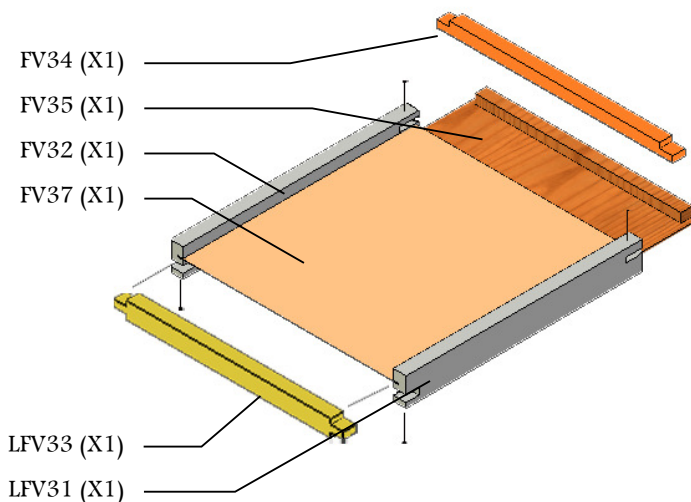
- Use a wood glue at **every** joint for an even stronger long lasting joint
- Where possible, insert nails / pins at an angle for extra strength
- The roof is pre-assembled.



For the super: SS15 and SS16.
 For the brood: SB11 and SB12

1. Brood and Super box

1. Apply adhesive to all mating surfaces.
2. Push the four walls together, handles on the outside and tap the joints home using a suitable block of wood to prevent bruising the timber.
3. Nail the sides together as indicated in the diagram using 2" 50mm pins. Check frequently that the box is square
4. Nail the runners in position on rebated sides using 8 pins.



3. Varroa Floor

1. Start by inserting Item 33 into Items 31 and 32. Secure with 2 short pins
 2. Insert Item 34 into Items 31 and 32. Secure with 2 short pins
- Note 1: Make sure the thin slots in item 31 and 32 are not blocked, this is to allow mesh to slide in.
- Note 2: Check for square. Diagonal lengths should be same.
3. Slide in the Varroa mesh Item 37. Secure with 8 Panel pins, 4 on the top at one end, 4 on the bottom at opposite end. Slide in tray assembly Items 35

	<u>Long Pins</u>	<u>Short Pins</u>	<u>Panel Pins</u>
Super	32	8	8
Brood	44	8	8
14x12 Brood	56	8	8
Floor	4	4	12