

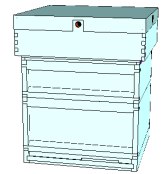
Caddon Hives Limited

Caddon Lynns, Caddon Foot Road, Clovenfords, Galashiels, Scotland, TD1 3LY

Tel: 01896 850755 / 0752 8288487

Email: caddon_hives@yahoo.co.uk

www.caddon-hives.co.uk



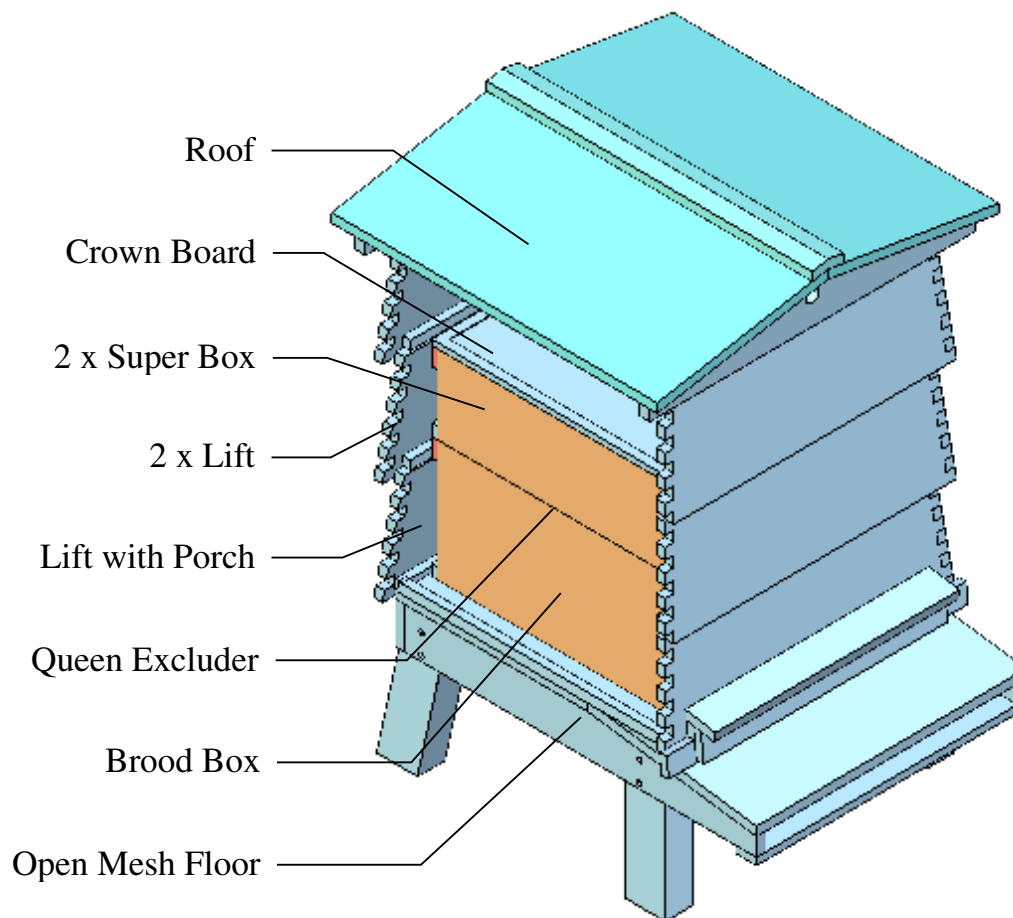
WBC Assembly instructions

Thank you for purchasing this WBC hive. Please read the following brief notes to assist with the assembly of these hives. For the beginner, this may take 4 hours.

Use an outdoor wood glue at every joint for an even stronger long lasting joint

Except for the lifts, insert nails / pins at an angle for extra strength

KEEP CHECKING FOR SQUARE (The diagonal lengths should be the same)



	Floor	Roof	Porch	Lift (ea)	Brood / Super (ea)
Galv' Nails 30mm	-	26	-	12	-
Long Pins 50mm	4	8	-	-	8
Short Pins 30mm	55	-	4	44	24
Long Screws 40mm	16	4	-	-	-
Short Screws 30mm	-	20	3	-	-
Brass tack 6mm	4	8	-	-	8

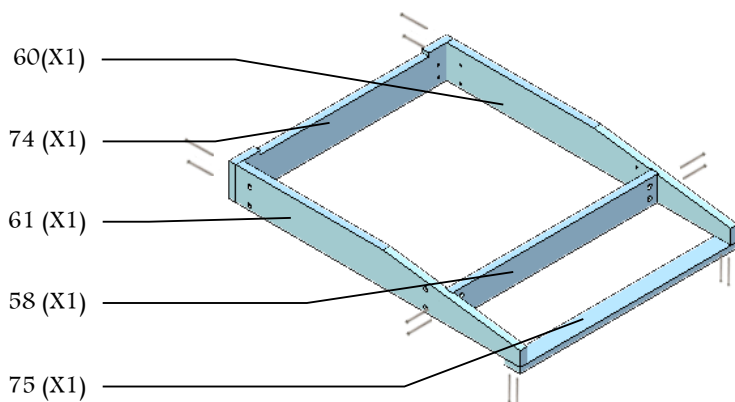
Caddon Hives

Varroa Floor

This is achieved in four stages:

Stage 1

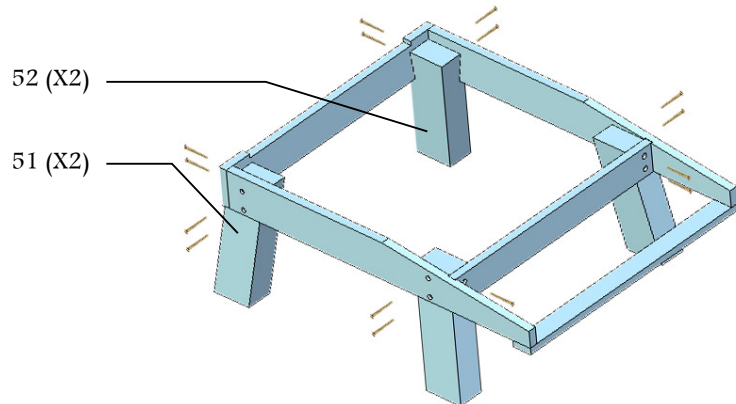
- Start with making the frame Parts 60, 74, 61, 75. Secure with short pins (x8). (Check for square)
- Slide in the cross member 58. Secure with long pins (x4) through 60 & 61.



Stage 2

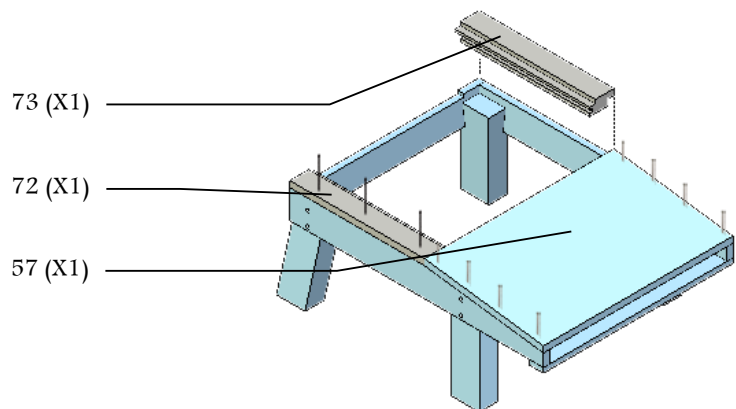
- Position the two pairs of legs 51 & 52. Secure with screws through pre-drilled holes in 60, 61, 58, 74.

Note: A simple trick is to temporarily wedge a brace between the diagonal opposite legs, this firmly pushes the legs into the corners ready for securing with screws



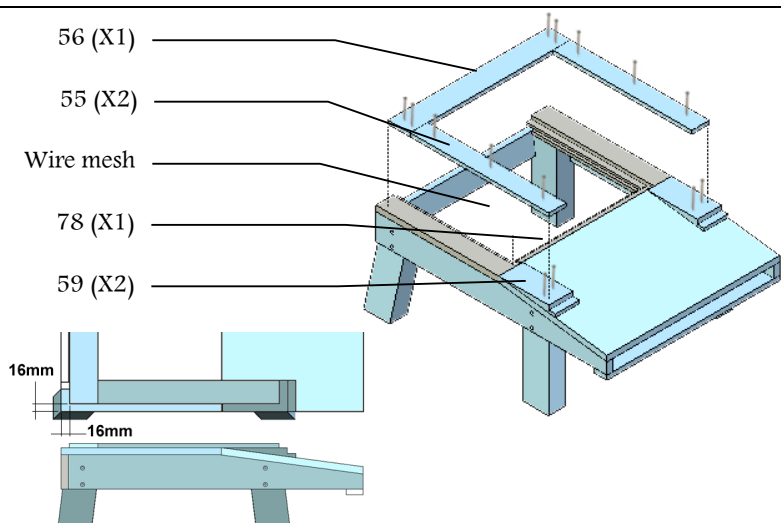
Stage 3

- Place 72 & 73 such that the end overlaps 74. Secure with short pins through 72, & 73 into 60, & 61 (5 pins per side)
- Place 57. Secure with short pins (6 per side)

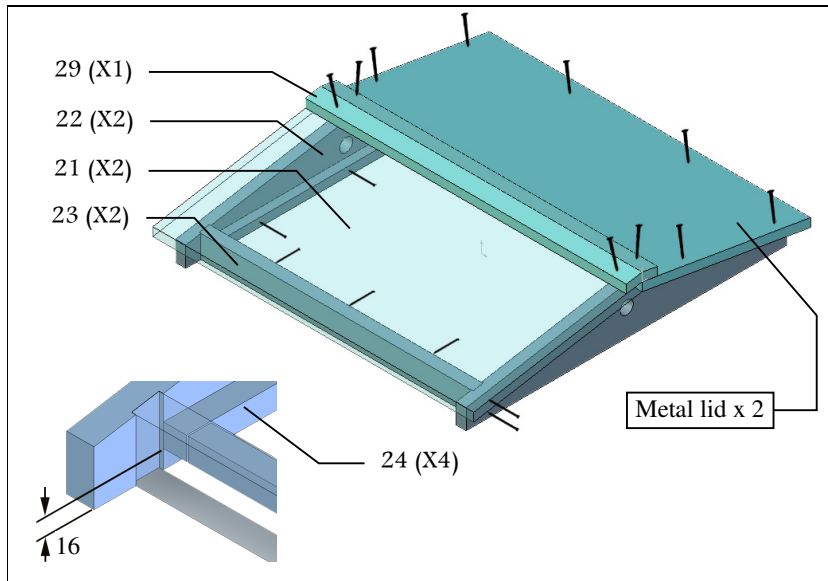


Stage 4

- Place 56, positioned centrally, 16mm from all three edges, secure with short pins (2 per end)
- Place 55(x2) up against 56, and 16mm from edge. Secure with short pins (5 per side)
- Place 59 (x2), should be flush to the edge of 60 & 61. Secure with short pins (4 per side)
- Place 78 (mesh support) 1mm offset from top of 57. Secure with short pins (x3)
- Insert wire mesh onto the supports 72 & 73, secure to underside of 56 with brass tacks, making sure inspection tray is free to move
- Slide in the inspection tray

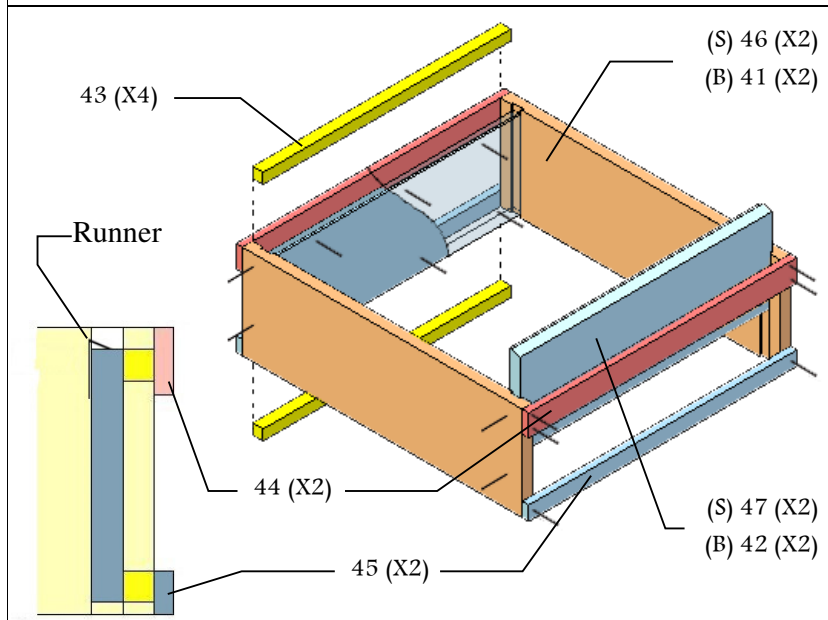


Caddon Hives



Roof

- Start with making the frame using 22(x2) & 23(x2). Secure with long pins (x8). (Check for square)
- Position 24(x4). Note the dimensions 16mm. Secure with 3 x Galv' nails per side.
- Remove the metal lid from wooden top. Place roofs 21 onto frame, locating 22 into the grooves. Secure with short screws through 21 into 22 **and** 23
- Place metal covers and secure around edge with Galv' nails (x12). (Use a hammer to knock down any sharp edges)
- Position 29, and secure with 2 x long screws at end and 2 x short screws at center. Secure wasp taps with brass tacks.

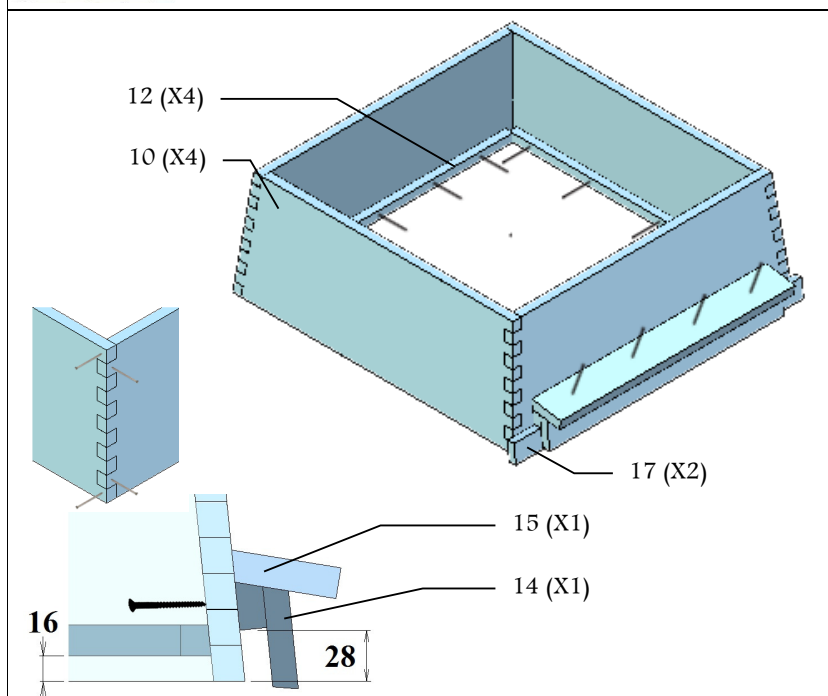


Brood box

- Start with making the frame using (44, 44, 45)(x2). Secure with short pins.
- PARTIALLY Slide in the two ends 42. Attach the metal frame runners onto the inside of item 42 with brass tacks.
- Continue to slide in 42. Use a frame top bar to set the height of runners (top of lug should be flush with top of box). Secure with long pins (x4 per side)
- Insert 43(x4). Secure with short pins from inside through 42 into 45

Note:

In some cases 43/44 and 45 may be a pre-assembled.



Lifts

- Assemble 012 (x4) Secure with short pins. (Check for square)
- **Important:** Insert glue between the joints before attempting to assemble. This will help lubricate the joint prior to assembly
- Insert 12(x4) and secure with 3 x Galv' nails per side 16mm up
- **Note:** If not square, compress longest diagonal so it becomes shorter

Porch

- Drill 3 clearance holes through lift 10
- Position 14 onto 15, secure with short pins
- Position sub assembly 14/15 onto lift side and secure with short screws though 10
- Slide in the doors 17 (x2)

Note: dimension 28mm