

Caddon Hives Limited

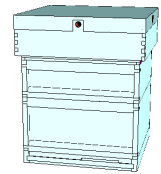
Caddon Lynns, Caddon Foot Road, Clovenfords, Galashiels, Scotland, TD1 3LY

Tel: 01896 850249 / 755

Email: caddon_hives@yahoo.co.uk

www.caddon-hives.co.uk

Reg No: 454334 VAT Reg No:170 5382 17



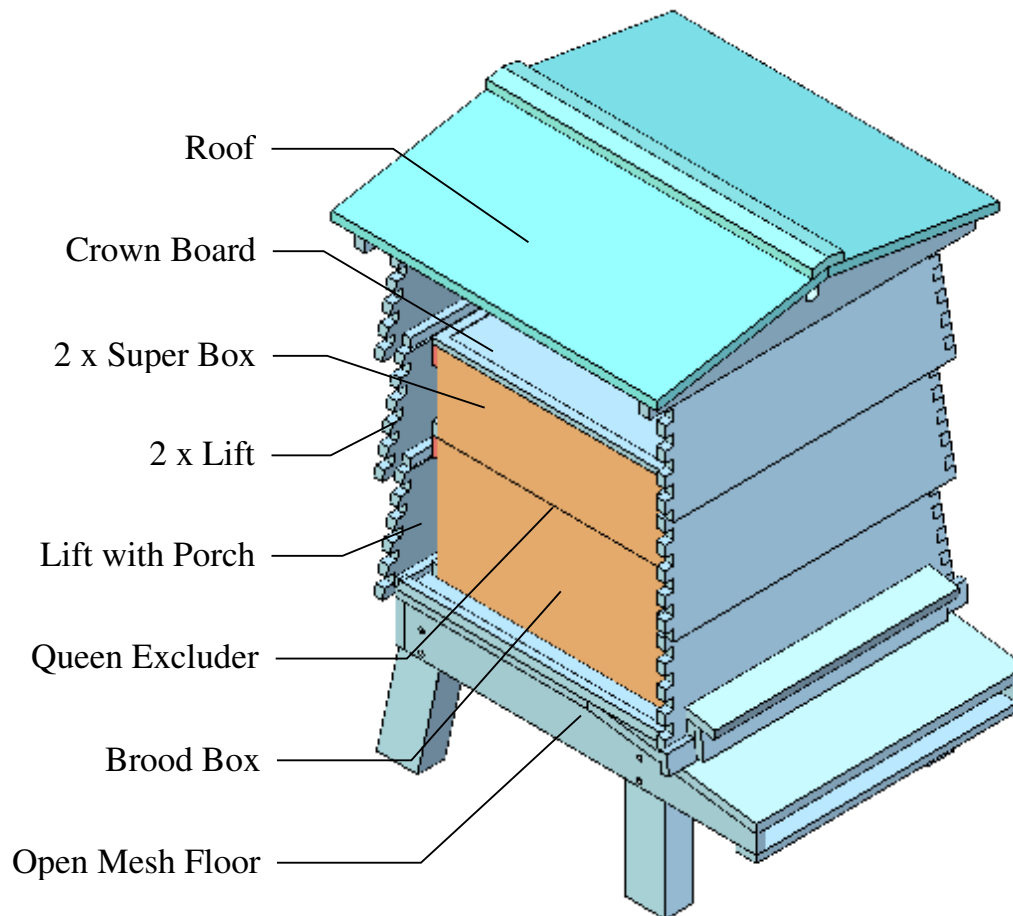
WBC Assembly instructions

Thank you for purchasing this WBC hive. Please read the following brief notes to assist with the assembly of these hives. For the beginner, this may take 4 hours.

Use an outdoor wood glue at every joint for an even stronger long lasting joint

Except for the lifts, insert nails / pins at an angle for extra strength

KEEP CHECKING FOR SQUARE (The diagonal lengths should be the same)

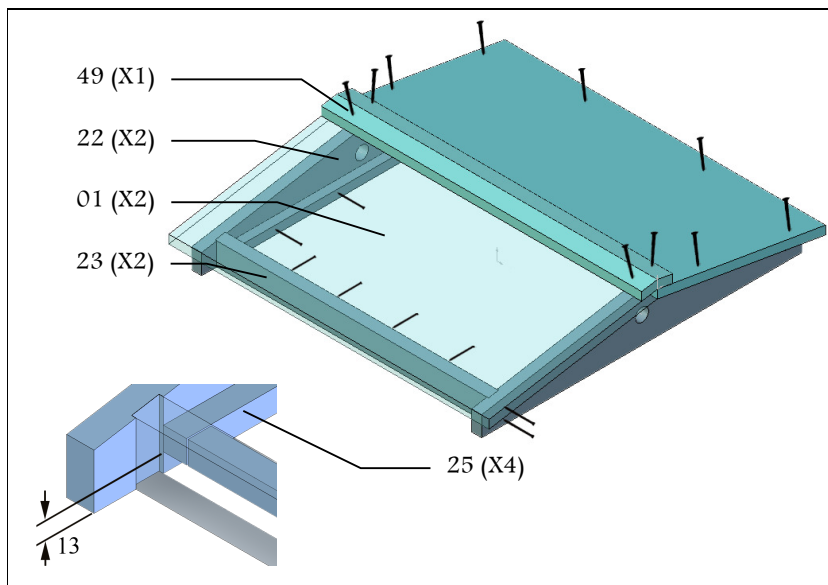


	Floor	Roof	Porch	Lift (ea)	Brood / Super (ea)
Galv' Nails 30mm	-	26	-	12	-
Long Pins 50mm	4	8	-	-	8
Short Pins 30mm	47	-	4	44	24
Long Screws 40mm	16	4	-	-	-
Short Screws 30mm	-	20	3	-	-
Brass tack 6mm	4	8	-	-	8

Caddon Hives

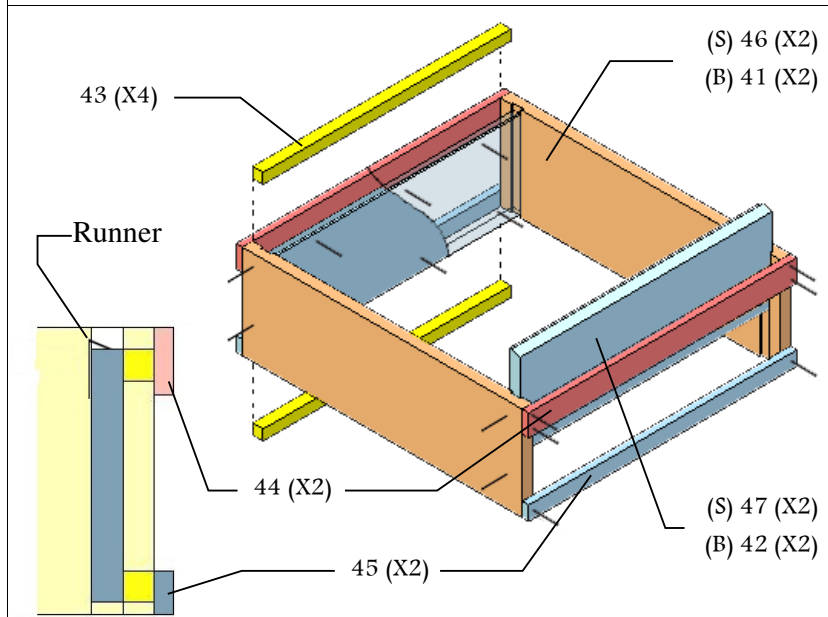
<p>61 (X1)</p> <p>74 (X1)</p> <p>60 (X1)</p> <p>58 (X1)</p> <p>75 (X1)</p>	<p>Varroa Floor <u>This is achieved in four stages:</u></p> <p>Stage 1</p> <ul style="list-style-type: none"> Start with making the frame Parts 60, 74, 61, 75. Secure with short pins. (Check for square) Slide in the cross member 58. Secure with long pins through 61 & 61.
<p>50 (X2)</p> <p>51 (X2)</p>	<p>Stage 2</p> <ul style="list-style-type: none"> Position the two pairs of legs 50 & 51. Secure with screws through pre-drilled holes in 60, 61, 58, 74. <p><u>Note:</u> A simple trick is to temporarily wedge a brace between the diagonal opposite legs, this firmly pushes the legs into the corners ready for securing with screws</p>
<p>72 (X1)</p> <p>73 (X1)</p> <p>57 (X1)</p>	<p>Stage 3</p> <ul style="list-style-type: none"> Place 72, 73. Secure with short pins through 72, & 73 into 60, & 61 (5 pins per side) Place 57. Secure with short pins (6 per side) <p><u>Note:</u> If you opt to screw, drill pilot hole through side of 72 & 73</p>
<p>56 (X1)</p> <p>55 (X2)</p> <p>Wire mesh</p> <p>78 (X1)</p> <p>59 (X2)</p> <p>16mm</p> <p>16mm</p>	<p>Stage 4</p> <ul style="list-style-type: none"> Place wire mesh onto the supports 72 & 73 Place 78 (mesh support) under mesh and secure to items 57 with 3 x short pins Place 56, positioned centrally, 16mm from all three edges, secure with short pins Place 55(x2) 59(x2). 55 should be 16mm from edge. 59 should be flush to the edge of 57. Secure with 5 x short pins per side. Secure mesh to underside of 56 with brass tacks, making sure inspection tray is free to move Slide in the inspection tray

Caddon Hives



Roof

- Start with making the frame using 22(x2) & 23(x2). Secure with long pins. (Check for square)
- Position 25(x4). Note the dimensions 16mm. Secure with 3 x Galv' nails per side.
- Remove the metal lid from wooden top. Place roofs 01 onto frame, locating 22 into the grooves. Secure with short screws through 01 into 22 **and** 23
- Place metal covers and secure around edge with Galv' nails. (Use a hammer to knock down any sharp edges)
- Position 49, and secure with long screws at end and 2 x short screws at center. Secure wasp taps with brass tacks.



Brood box

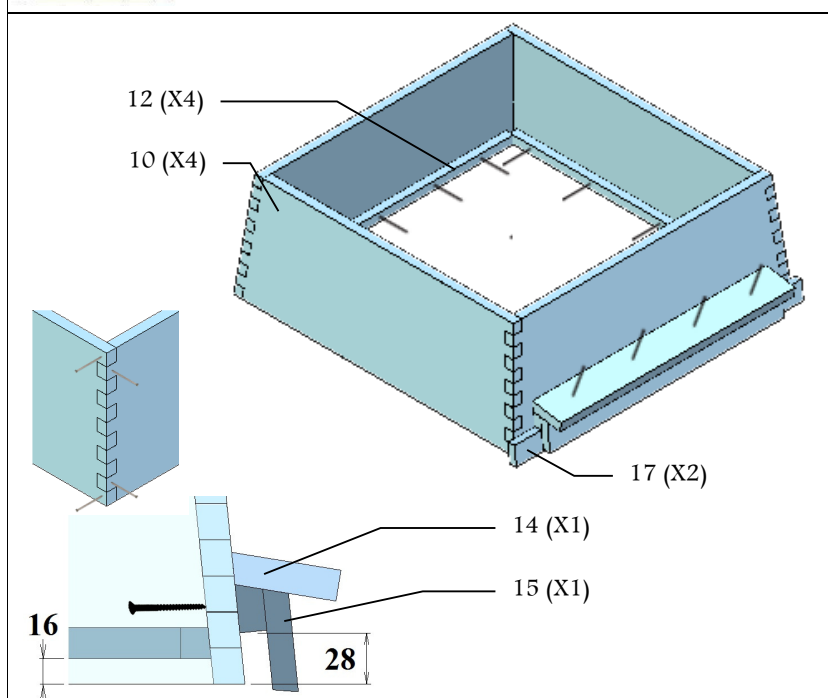
- Start with making the frame using (41, 44, 45)(x2). Secure with short pins.
- PARTIALLY Slide in the two ends 42. Attach the metal frame runners onto the inside of item 42 with brass tacks. Use a frame top bar to set the height of runners (top of lug should be flush with top of box). Secure with long pins
- Insert 43(x4). Secure with short pins from inside through 42 into 45

Note:

For the top, the bottom of 44 is flush with bottom of 43.

For the base, the top of 45, is flush with the top of 43. Bottom of 42 is flush with bottom of 41

In some cases 43/44 and 45 may be a pre-assembled.



Lifts

- Assemble 012 (x4) Secure with short pins. (Check for square)

Important: Insert glue between the joints before attempting to assemble. This will help lubricate the joint prior to assembly

- Insert 12(x4) and secure with 3 x Galv'nails per side 16mm up

Note: If not square, compress longest diagonal so it becomes shorter

Porch

- Drill 3 clearance holes through lift 10
- Position 14 onto 15, secure with short pins
- Position sub assembly 14/15 onto lift side and secure with short screws through 10
- Slide in the doors 17 (x2)

Note: dimension 28mm